

AVE-2MP25X/IRPTZ

2MP 25x Network IR Speed Dome



AMERICAN VIDEO EQUIPMENT

AVE-2MP25X/IRPTZ 2MP 25x Network IR Speed Dome adopts 1/2.8" progressive scan CMOS chip. With the 25x optical zoom lens, the camera offers more details over expansive areas.

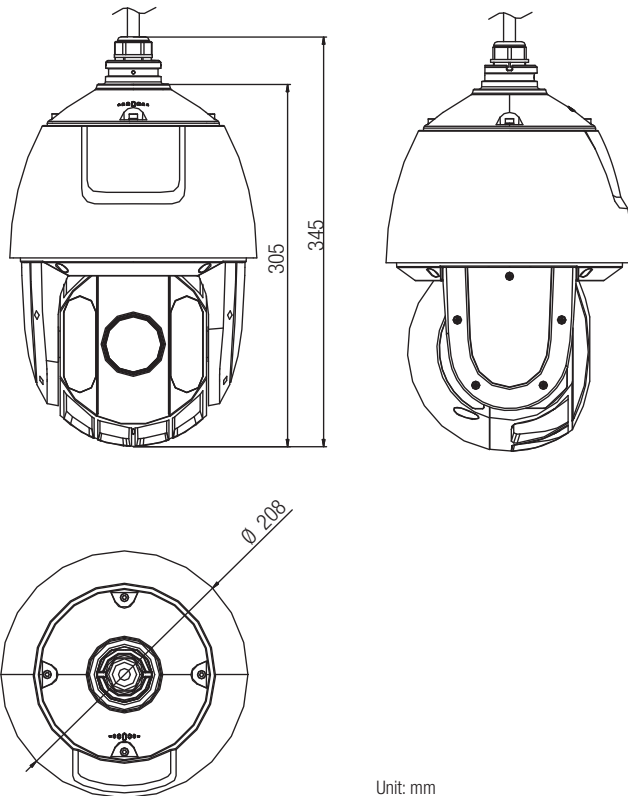
This series of cameras can be widely used for wide ranges of high-definition, such as the rivers, roads, railways, airports, squares, parks, scenic spots, and venues, etc.

KEY FEATURES

- 1/2.8" progressive scan CMOS
- Up to 1920 × 1080@30fps resolution
- Min. illumination:
 - Color: 0.005 Lux @(F1.6, AGC ON)
 - B/W: 0.001 Lux @(F1.6, AGC ON)
 - 0 Lux with IR
- 25x optical zoom, 16x digital zoom
- WDR, HLC, BLC, 3D DNR, Defog, EIS, Regional Exposure, Regional Focus
- Up to 150 m IR distance
- 24 VAC & Hi-PoE
- Support H.265+/H.265 video compression



DIMENSIONS



ACCESSORIES



AVE (Europe) 13B Blanchardstown Corporate Park 1, Blanchardstown, Dublin 15, Rep. of Ireland
 Tel: +353 (1) 864 7450 Fax: +353 (1) 864 7451 Email: eusales@ave-global.com Web: www.ave-global.com

AVE (UK) Endeavour House, Coopers End Road, Stansted, Essex, CM24 1SJ
 Tel: +44 (0)845 600 9323 Fax: +44 (0)845 600 9363 Email: eusales@ave-global.com Web: www.ave-global.com

AVE (USA) 2300 Central Parkway, Suite C, Houston, Texas TX 77092
 Tel: +1 (281) 443 2300 Fax: +1 (281)-443-8915 Email: usasales@ave-global.com Web: www.ave-global.com

AVE (Asia) 147 Soi OnNut44, (Sampheeng Villa), Sukhumvit 77Rd., Suanluang, Suanluang, Bangkok 10250 Thailand.
 Tel: +662-331-9285 Fax: +662 331 9365 Email: ave@avethailand.com Web: www.avethailand.com

AVE-2MP25X/IRPTZ

2MP 25x Network IR Speed Dome



AMERICAN VIDEO EQUIPMENT

SPECIFICATIONS

AVE-2MP25X/IRPTZ	
Camera Module	
Image Sensor	1/2.8" progressive scan CMOS
Min. Illumination	Color: 0.005 Lux @(F1.6, AGC ON) B/W: 0.001Lux @(F1.6, AGC ON) 0 Lux with IR
White Balance	Auto/Manual/ATW (Auto-tracking White Balance)/Indoor/Outdoor/Fluorescent Lamp/Sodium Lamp
Gain	Auto/Manual
Shutter Time	50Hz: 1/1 s to 1/30,000 s 60Hz: 1/1 s to 1/30,000 s
Day & Night	IR Cut Filter
Digital Zoom	16x
Privacy Mask	24 programmable privacy masks
Focus Mode	Auto/Semi-automatic/Manual
WDR	120 dB WDR
Lens	
Focal Length	4.8 mm to 120 mm, 25x optical zoom
Zoom Speed	Approx. 3.6 s (optical lens, wide-tele)
Field of View	Horizontal field of view: 57.6° to 2.5° (Wide-Tele) Vertical field of view: 34.4° to 1.4° (Wide-Tele) Diagonal field of view: 64.5° to 2.9° (Wide-Tele)
Working Distance	10 mm to 1500 mm (wide-tele)
Aperture Range	F1.6 to F3.5
IR	
IR Distance	150 m
Smart IR	Support
PTZ	
Movement Range (Pan)	360° endless
Pan Speed	Configurable, from 0.1°/s to 120°/s Preset speed: 120°/s
Movement Range (Tilt)	From -15° to 90° (auto-flip)
Tilt Speed	Configurable, from 0.1°/s to 80°/s Preset Speed: 80°/s
Proportional Zoom	Support
Presets	300
Patrol Scan	8 patrols, up to 32 presets for each patrol
Pattern Scan	4 pattern scans, record time over 10 minutes for each scan
Power-off Memory	Support
Park Action	Preset/Pattern Scan/Patrol Scan/Auto Scan/Tilt Scan/Random Scan/Frame Scan/Panorama Scan
3D Positioning	Support
PTZ Position Display	Support
Preset Freezing	Support
Scheduled Task	Preset/Pattern Scan/Patrol Scan/Auto Scan/Tilt Scan/Random Scan/Frame Scan/Panorama Scan/Dome Reboot/Dome Adjust/Aux Output
Compression Standard	
Video Compression	Main Stream: H.265+/H.265/H.264+/H.264 Sub-stream: H.265/H.264/MJPEG Third Stream: H.265/H.264/MJPEG
H.264 Type	Baseline Profile/Main Profile/High Profile
H.264+	Support
H.265 Type	Baseline Profile/Main Profile/High Profile
H.265+	Support
Video Bitrate	32 Kbps to 16384 Kbps
SVC	Support
Smart Features	
Basic Event	Motion Detection, Video Tampering Detection, Exception
Smart Event	Intrusion Detection, Line Crossing Detection, Region Entrance Detection, Region Exiting Detection, Object Removal Detection, Unattended Baggage Detection
Smart Record	ANR (Automatic Network Replenishment), Dual-VCA
ROI	Main stream, sub-stream, and third stream respectively support four fixed areas.
Image	
Max. Resolution	1920 × 1080
Main Stream	50Hz: 25fps (1920 × 1080, 1280 × 960, 1280 × 720) 50fps (1280 × 960, 1280 × 720) 60Hz: 30fps (1920 × 1080, 1280 × 960, 1280 × 720) 60fps (1280 × 960, 1280 × 720)
Sub-Stream	50Hz: 25fps (704 × 576, 640 × 480, 352 × 288) 60Hz: 30fps (704 × 480, 640 × 480, 352 × 240)
Third Stream	50Hz: 25fps (1920 × 1080, 1280 × 960, 1280 × 720, 704 × 576, 640 × 480, 352 × 288) 60Hz: 30fps (1920 × 1080, 1280 × 960, 1280 × 720, 704 × 480, 640 × 480, 352 × 240)
Image Enhancement	HLC/BLC/3D DNR/Defog/EIS/Regional Exposure/Regional Focus
Network	
Network Storage	Built-in memory card slot, support Micro SD/SDHC/SDXC, up to 256 GB; NAS (NFS, SMB/ CIFS), ANR
Protocols	IPv4/IPv6, HTTP, HTTPS, 802.1x, Qos, FTP, SMTP, UPnP, SNMP, DNS, DDNS, NTP, RTSP, RTCP, RTP, TCP/IP, UDP, IGMP, ICMP, DHCP, PPPoE, Bonjour
API	Open-ended, support ONVIF, ISAPI, and CGI, support HIKVISION SDK and Third-Party Management Platform
Simultaneous Live View	Up to 20 channels
User/Host	Up to 32 users 3 levels: Administrator, Operator and User
Security Measures	User authentication (ID and PW), Host authentication (MAC address); HTTPS encryption; IEEE 802.1x port-based network access control; IP address filtering
Client	iVMS-4200, iVMS-4500, iVMS-5200, Hik-Connect
Web Browser	IE 8 to 11, Chrome 31.0 to 44, Firefox 30.0 to 51
Interface	
Network Interface	1 RJ45 10 M/100 M Ethernet, Hi-PoE
General	
Power	24 VAC and Hi-PoE Max.: 30 W (Max. 10 W for IR)
Working Temperature	-30°C to 65°C (-22°F to 149°F)
Working Humidity	≤ 90%
Protection Level	IP66 Standard, TVS 4000V Lightning Protection, Surge Protection and Voltage Transient Protection
Material	ADC 12, PC, PC+10% GF
Dimensions	Ø 208 mm × 345 mm (Ø 8.19" × 13.58")
Weight	Approx. 3.3 kg (7.28 lb)



AMERICAN VIDEO EQUIPMENT

AVE (Europe) 13B Blanchardstown Corporate Park 1, Blanchardstown, Dublin 15, Rep. of Ireland
Tel: +353 (1) 864 7450 Fax: +353 (1) 864 7451 Email: eusales@ave-global.com Web: www.ave-global.com

AVE (UK) Endeavour House, Coopers End Road, Stansted, Essex, CM24 1SJ
Tel: +44 (0)845 600 9323 Fax: +44 (0)845 600 9363 Email: eusales@ave-global.com Web: www.ave-global.com

AVE (USA) 2300 Central Parkway, Suite C, Houston, Texas TX 77092
Tel: +1 (281) 443 2300 Fax: +1 (281)-443-8915 Email: usasales@ave-global.com Web: www.ave-global.com

AVE (Asia) 147 Soi OnNut44, (Sampheonong Villa), Sukhumvit 77Rd., Suanluang, Suanluang, Bangkok 10250 Thailand.
Tel: +662-331-9285 Fax: +662 331 9365 Email: ave@avethailand.com Web: www.avethailand.com