

AVE-IP6VFNTC

6 MP IR VF Turret Network Camera



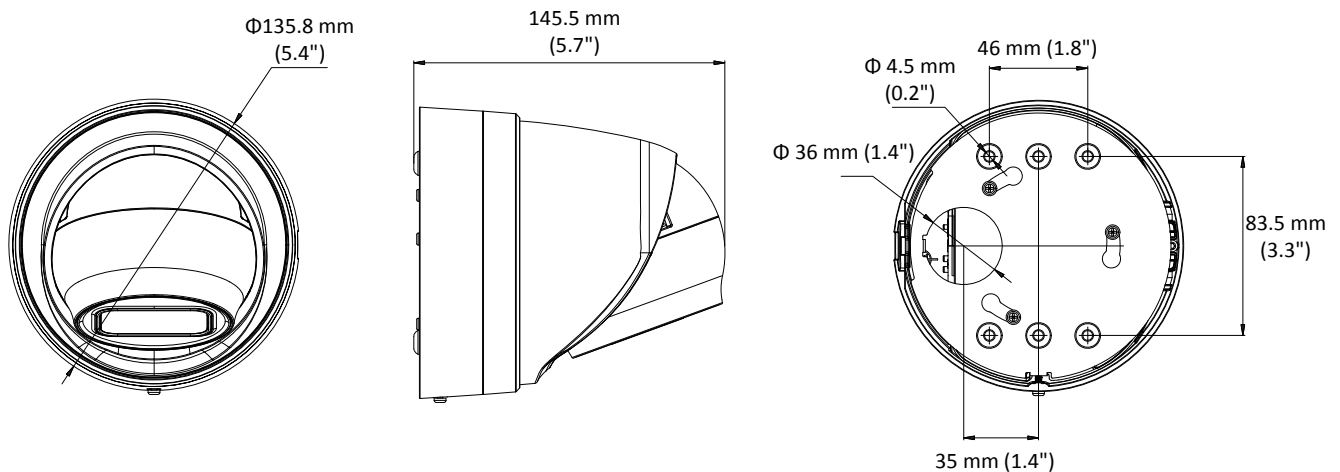
AMERICAN VIDEO EQUIPMENT

KEY FEATURES

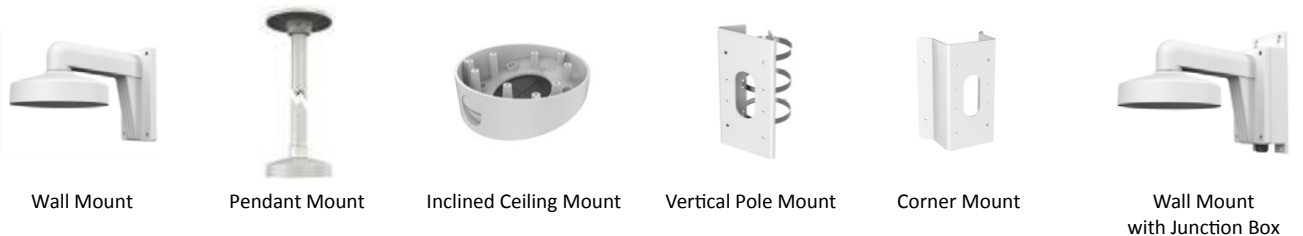
- 1/2.9" Progressive Scan CMOS
- 3072 × 2048@20 fps
- 2.8 to 12 mm varifocal lens
- Color: 0.01 Lux @ (F1.2, AGC ON), 0.018 Lux @ (F1.6, AGC ON), 0 Lux with IR
- H.265+, H.265, H.264+, H.264
- 2 Behavior analyses
- 120dB WDR
- BLC/3D DNR/ROI
- IP67, IK10
- Built-in micro SD/SDHC/SDXC card slot, up to 128 GB



DIMENSIONS



ACCESSORIES



AVE (Europe) 13B Blanchardstown Corporate Park 1, Blanchardstown, Dublin 15, Rep. of Ireland
 Tel: +353 (1) 864 7450 Fax: +353 (1) 864 7451 Email: eusales@ave-global.com Web: www.ave-global.com
AVE (UK) Endeavour House, Coopers End Road, Stansted, Essex, CM24 1SJ
 Tel: +44 (0)845 600 9323 Fax: +44 (0)845 600 9363 Email: eusales@ave-global.com Web: www.ave-global.com
AVE (USA) 2300 Central Parkway, Suite C, Houston, Texas TX 77092
 Tel: +1 (281) 443 2300 Fax: +1 (281)-443-8915 Email: usasales@ave-global.com Web: www.ave-global.com
AVE (Asia) 147 Soi OnNut44, (Sampheonong Villa), Sukhumvit 77Rd., Suanluang, Suanluang, Bangkok 10250 Thailand.
 Tel: +662-331-9285 Fax: +662 331 9365 Email: ave@avethailand.com Web: www.avethailand.com

AVE-IP6VFNTC

6 MP IR VF Turret Network Camera



AMERICAN VIDEO EQUIPMENT

SPECIFICATIONS

Camera	
Image Sensor	1/2.9" Progressive Scan CMOS
Min. Illumination	Color: 0.01 Lux @ (F1.2, AGC ON), 0.018 Lux @ (F1.6, AGC ON), 0 Lux with IR
Shutter Speed	1/3 s to 1/100,000 s
Slow Shutter	Yes
Auto-Iris	No
Day & Night	IR Cut Filter
Digital Noise Reduction	3D DNR
WDR	120dB
3-Axis Adjustment	Pan: 0° to 355°, tilt: 0° to 75°, rotate: 0° to 355°
Lens	
Focal Length	2.8 to 12 mm
Aperture	F1.6
Focus	Auto
FOV	Horizontal field of view: 88° to 27° Vertical field of view: 56° to 18° Diagonal field of view: 110° to 33°
Lens Mount	Ø14
IR	
IR Range	Up to 30 m
Wavelength	850nm
Compression Standard	
Video Compression	Main stream: H.265/H.264 Sub-stream: H.265/H.264/MJPEG Third stream: H.265/H.264
H.264 Type	Main Profile/High Profile
H.264+	Yes
H.265 Type	Main Profile
H.265+	Yes
Video Bit Rate	32 Kbps to 16 Mbps
Audio Compression	G.711/G.722.1/G.726/MP2L2/PCM
Audio Bit Rate	64Kbps(G.711)/16Kbps(G.722.1)/16Kbps(G.726)/32-192Kbps(MP2L2)
Smart Feature-set	
Behavior Analysis	Line crossing detection, intrusion detection
Face Detection	Yes
Region of Interest	Support 1 fixed region for main stream and sub-stream
Image	
Max. Resolution	3072 × 2048
Main Stream	50Hz: 20 fps (3072 × 2048, 3072 × 1728, 2944 × 1656), 25 fps (2560 × 1440, 1920 × 1080, 1280 × 720) 60Hz: 20 fps (3072 × 2048, 3072 × 1728, 2944 × 1656), 30fps (2560 × 1440, 1920 × 1080, 1280 × 720)
Sub-Stream	50Hz: 25fps (640 × 480, 640 × 360, 320 × 240) 60Hz: 30fps (640 × 480, 640 × 360, 320 × 240)
Third Stream	50Hz: 25fps (1280 × 720, 640 × 360, 352 × 288)



AMERICAN VIDEO EQUIPMENT

AVE (Europe) 13B Blanchardstown Corporate Park 1, Blanchardstown, Dublin 15, Rep. of Ireland
Tel: +353 (1) 864 7450 Fax: +353 (1) 864 7451 Email: eusales@ave-global.com Web: www.ave-global.com

AVE (UK) Endeavour House, Coopers End Road, Stansted, Essex, CM24 1SJ
Tel: +44 (0)845 600 9323 Fax: +44 (0)845 600 9363 Email: eusales@ave-global.com Web: www.ave-global.com

AVE (USA) 2300 Central Parkway, Suite C, Houston, Texas TX 77092
Tel: +1 (281) 443 2300 Fax: +1 (281)-443-8915 Email: usasales@ave-global.com Web: www.ave-global.com

AVE (Asia) 147 Soi OnNut44, (Sampheengong Villa), Sukhumvit 77Rd., Suanluang, Suanluang, Bangkok 10250 Thailand.
Tel: +662-331-9285 Fax: +662 331 9365 Email: ave@avethailand.com Web: www.avethailand.com

AVE-IP6VFNTC

6 MP IR VF Turret Network Camera



AMERICAN VIDEO EQUIPMENT

SPECIFICATIONS (Continued)

	60Hz: 30fps (1280 × 720, 640 × 360, 352 × 240)
Image Enhancement	BLC/3D DNR
Image Settings	Rotate mode, saturation, brightness, contrast, sharpness adjustable by client software or web browser
Target Cropping	No
Day/Night Switch	Day/Night/Auto/Schedule/Triggered by Alarm In
Network	
Network Storage	Support Micro SD/SDHC/SDXC card (128G), local storage and NAS (NFS,SMB/CIFS), ANR
Alarm Trigger	Motion detection, video tampering, network disconnected, IP address conflict, illegal login, HDD full, HDD error
Protocols	TCP/IP, ICMP, HTTP, HTTPS, FTP, DHCP, DNS, DDNS, RTP, RTSP, RTCP, PPPoE, NTP, UPnP, SMTP, SNMP, IGMP, 802.1X, QoS, IPv6, Bonjour
General Function	One-key reset, anti-flicker, three streams, heartbeat, mirror, password protection, privacy mask, watermark, IP address filter
API	ONVIF (PROFILE S, PROFILE G), ISAPI
Simultaneous Live View	Up to 6 channels
User/Host	Up to 32 users 3 levels: Administrator, Operator and User
Client	iVMS-4200, Hik-Connect, iVMS-5200
Web Browser	IE8+, Chrome 31.0-44, Firefox 30.0-51, Safari 8.0+
Interface	
Audio	1 input (line in, 3.5 mm), 1 output (line out, 3.5 mm), mono sound
Alarm	1 input, 1 output
Video Output	1Vp-p composite output (75 Ω/BNC) (For adjustment only)
Communication Interface	1 RJ45 10M/100M self-adaptive Ethernet port
On-board storage	Built-in Micro SD/SDHC/SDXC slot, up to 128 GB
SVC	H.264 and H.265 encoding support
Reset Button	Yes
Audio	
Environment Noise Filtering	Yes
Audio Sampling Rate	8 kHz/16 kHz/32 kHz/44.1 kHz/48 kHz
General	
Operating Conditions	-30 °C to +60 °C (-22 °F to +140 °F), Humidity 95% or less (non-condensing)
Power Supply	12 VDC ± 25%, Φ 5.5mm coaxial plug power PoE (802.3af, class 3)
Power Consumption and Current	12 VDC, 1 A, max. 11 W PoE (802.3af, 36V to 57V), 0.4 A to 0.3 A, max. 12.5 W
Protection Level	IP67, IK10
Material	Metal
Dimensions	Φ 135.8 mm × 145.5 mm (Φ 5.4" × 5.7")
Weight	With package: approx. 1220 g (2.7 lb.) Camera: approx. 1060 g (2.3 lb.)



AMERICAN VIDEO EQUIPMENT

AVE (Europe) 13B Blanchardstown Corporate Park 1, Blanchardstown, Dublin 15, Rep. of Ireland
Tel: +353 (1) 864 7450 Fax: +353 (1) 864 7451 Email: eusales@ave-global.com Web: www.ave-global.com

AVE (UK) Endeavour House, Coopers End Road, Stansted, Essex, CM24 1SJ
Tel: +44 (0)845 600 9323 Fax: +44 (0)845 600 9363 Email: eusales@ave-global.com Web: www.ave-global.com

AVE (USA) 2300 Central Parkway, Suite C, Houston, Texas TX 77092
Tel: +1 (281) 443 2300 Fax: +1 (281)-443-8915 Email: usasales@ave-global.com Web: www.ave-global.com

AVE (Asia) 147 Soi OnNut44, (Sampheengong Villa), Sukhumvit 77Rd., Suanluang, Suanluang, Bangkok 10250 Thailand.
Tel: +662-331-9285 Fax: +662 331 9365 Email: ave@avethailand.com Web: www.avethailand.com