

# AVE-IP4FTCNTC

4 MP ColorVu Fixed Turret Network Camera



AMERICAN VIDEO EQUIPMENT

## KEY FEATURES

- Max. 2688 × 1520 @30fps
- 2.8 mm/4 mm/6 mm fixed lens
- H.265+, H.264+
- 120dB WDR
- 0.0014 @ (F1.0, AGC ON), 0 Lux with Light
- Built-in micro SD/SDHC/SDXC slot, up to 128G
- Built-in mic (Optional)
- 24/7 full time color



## ColorVu

ColorVu technology provides 24/7 vivid colorful images with F1.0 advanced lenses, high performance sensors and friendly lighting. F1.0 super-aperture collects more light to produce brighter images. Advanced sensor technology can vastly improve the utilization of available light. In zero-light scenarios, built-in, warm supplemental lighting works to guarantee colorful images.

## ACCESSORIES



Wall Mount

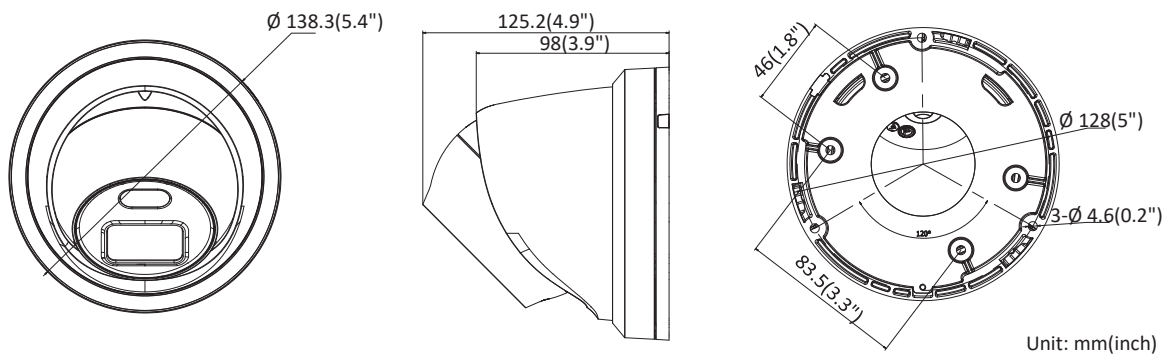


Pendant Mount



Junction Box

## DIMENSIONS



AMERICAN VIDEO EQUIPMENT

**AVE (Europe)** 13B Blanchardstown Corporate Park 1, Blanchardstown, Dublin 15, Rep. of Ireland  
 Tel: +353 (1) 864 7450 Fax: +353 (1) 864 7451 Email: [eusales@ave-global.com](mailto:eusales@ave-global.com) Web: [www.ave-global.com](http://www.ave-global.com)

**AVE (UK)** Endeavour House, Coopers End Road, Stansted, Essex, CM24 1SJ  
 Tel: +44 (0)845 600 9323 Fax: +44 (0)845 600 9363 Email: [eusales@ave-global.com](mailto:eusales@ave-global.com) Web: [www.ave-global.com](http://www.ave-global.com)

**AVE (USA)** 2300 Central Parkway, Suite C, Houston, Texas TX 77092  
 Tel: +1 (281) 443 2300 Fax: +1 (281)-443-8915 Email: [usasales@ave-global.com](mailto:usasales@ave-global.com) Web: [www.ave-global.com](http://www.ave-global.com)

**AVE (Asia)** 147 Soi OnNut44, (Sampheengong Villa), Sukhumvit 77Rd., Suanluang, Suanluang, Bangkok 10250 Thailand.  
 Tel: +662-331-9285 Fax: +662 331 9365 Email: [ave@avethailand.com](mailto:ave@avethailand.com) Web: [www.avethailand.com](http://www.avethailand.com)

# AVE-IP4FTCNTC

4 MP ColorVu Fixed Turret Network Camera



AMERICAN VIDEO EQUIPMENT

## SPECIFICATIONS

<b>Camera</b>	
Image Sensor	1/1.8" Progressive Scan CMOS
Min. Illumination	0.0014 @ (F1.0, AGC ON), 0 Lux with Light
Shutter Speed	1/3 s to 1/100,000 s
Slow Shutter	Yes
DNR	3D DNR
Wide Dynamic Range	120 dB
Angle Adjustment	Pan: 0° to 360°, tilt: 0° to 75°, rotate: 0° to 360°
<b>Lens</b>	
Focal length	2.8/4/6 mm
Aperture	F1.0
Focus	Fixed
FOV	2.8 mm, horizontal FOV: 109°, vertical FOV: 55°, diagonal FOV: 138° 4 mm, horizontal FOV: 94°, vertical FOV: 48°, diagonal FOV: 115° 6 mm, horizontal FOV: 57°, vertical FOV: 31°, diagonal FOV: 67°
Lens Mount	M16
<b>Illuminator</b>	
White Light Range	Warm white LEDs (3000K), up to 30m
<b>Compression Standard</b>	
Video Compression	Main stream: H.265+/H.265/H.264+/H.264 Sub-stream: H.265/H.264/MJPEG Third stream: H.265/H.264
H.264 Type	Main Profile/High Profile
H.265 Type	Main Profile
Video Bit Rate	32 Kbps to 16 Mbps
<b>Smart Feature-set</b>	
Behavior Analysis	Line crossing detection, intrusion detection, object removal detection, unattended baggage detection
Exception Detection	Scene change detection
Face Detection	Yes
<b>Image</b>	
Max. Resolution	2688 × 1520
Main Stream	50Hz: 25fps (2688 × 1520, 2560 × 1440, 2304 × 1296, 1920 × 1080, 1280 × 720) 60Hz: 30fps (2688 × 1520, 2560 × 1440, 2304 × 1296, 1920 × 1080, 1280 × 720)
Sub-Stream	50Hz: 25fps (640 × 480, 640 × 360, 320 × 240) 60Hz: 30fps (640 × 480, 640 × 360, 320 × 240)
Third stream	50Hz: 25fps (1280 × 720, 640 × 360, 352 × 288) 60Hz: 30fps (1280 × 720, 640 × 360, 352 × 240)
Image Enhancement	BLC/3D DNR/HLC
Image Settings	Rotate mode, saturation, brightness, contrast, sharpness, AGC, white balance adjustable by client software or web browser
Day/Night Switch	Day/Night
ROI (Region of Interest)	Support 1 fixed region for main stream and sub-stream separately
<b>Audio (-U)</b>	
Environment Noise Filtering	Yes
Sampling Rate	8kHz/16kHz/32kHz/44.1kHz/48kHz
Audio Compression	G.711/G.722.1/G.726/MP2L2/PCM
Audio Bit Rate	64Kbps(G.711)/16Kbps(G.722.1)/16Kbps(G.726)/32-160Kbps(MP2L2)
<b>Network</b>	
Network Storage	Support micro SD/SDHC/SDXC card (128G) local storage, NAS (NFS, SMB/CIFS), ANR
Alarm Trigger	Motion detection, video tampering detection, network disconnected, IP address conflict, illegal login, HDD full, HDD error
Protocols	TCP/IP, ICMP, HTTP, HTTPS, FTP, DHCP, DNS, DDNS, RTP, RTSP, PPPoE, NTP, UPnP, SMTP, SNMP, IGMP, 802.1X, QoS, IPv6, UDP, Bonjour
General Function	One-key reset, anti-flicker, three streams, heartbeat, mirror, password protection, privacy mask, watermark, IP address filter
Firmware Version	V5.5.82
API	ONVIF (PROFILE S, PROFILE G), ISAPI
Simultaneous Live View	Up to 6 channels
User/Host	Up to 32 users 3 levels: Administrator, Operator and User
Client	IVMS-4200, Hik-Connect, iVMS-4500, iVMS-5200
Web Browser	Plug-in required live view: IE8+, Chrome 41.0-44, Firefox 30.0-51, Safari 8.0-11 Plug-in free live view: Chrome 45.0+, Firefox 52.0+
<b>Interface</b>	
Communication Interface	1 RJ45 10M/100M self-adaptive Ethernet port
On-board Storage	Built-in micro SD/SDHC/SDXC slot, up to 128 GB
Reset Button	Yes
Audio (-U)	1 audio input (built-in mic), mono sound
<b>General</b>	
Operating Conditions	-30 °C to +60 °C (-22 °F to +140 °F), humidity 95% or less (non-condensing)
Power Supply	12 VDC ± 25%, Ø 5.5 mm coaxial power plug PoE (802.3af, class 3)
Power Consumption	12 VDC, 0.5 A, max. 6 W PoE: (802.3af, 36 V to 57 V), 0.3 A to 0.1 A, max. 7.5 W
Protection Level	-L model: IP67 -LU model: IP66
Material	Camera: Metal, trim ring: Plastic
Dimension	Camera: Ø 138.3 × 125.2 mm (Ø 5.4" × 4.9") With package: 170 × 170 × 150 mm (7" × 7" × 5.9")
Weight	Camera: 575 g (1.3 lb.) With package: 833 g (1.8 lb.)



AMERICAN VIDEO EQUIPMENT

**AVE (Europe)**

13B Blanchardstown Corporate Park 1, Blanchardstown, Dublin 15, Rep. of Ireland  
Tel: +353 (1) 864 7450 Fax: +353 (1) 864 7451 Email: [eusales@ave-global.com](mailto:eusales@ave-global.com) Web: [www.ave-global.com](http://www.ave-global.com)

**AVE (UK)**

Endeavour House, Coopers End Road, Stansted, Essex, CM24 1SJ  
Tel: +44 (0)845 600 9323 Fax: +44 (0)845 600 9363 Email: [eusales@ave-global.com](mailto:eusales@ave-global.com) Web: [www.ave-global.com](http://www.ave-global.com)

**AVE (USA)**

2300 Central Parkway, Suite C, Houston, Texas TX 77092  
Tel: +1 (281) 443 2300 Fax: +1 (281)-443-8915 Email: [usasales@ave-global.com](mailto:usasales@ave-global.com) Web: [www.ave-global.com](http://www.ave-global.com)

**AVE (Asia)**

147 Soi OnNut44, (Sampheengong Villa), Sukhumvit 77Rd., Suanluang, Suanluang, Bangkok 10250 Thailand.  
Tel: +662-331-9285 Fax: +662 331 9365 Email: [ave@avethailand.com](mailto:ave@avethailand.com) Web: [www.avethailand.com](http://www.avethailand.com)