

AVE-TVIVFB10P

2 MP Vari-focal PoC Bullet Camera



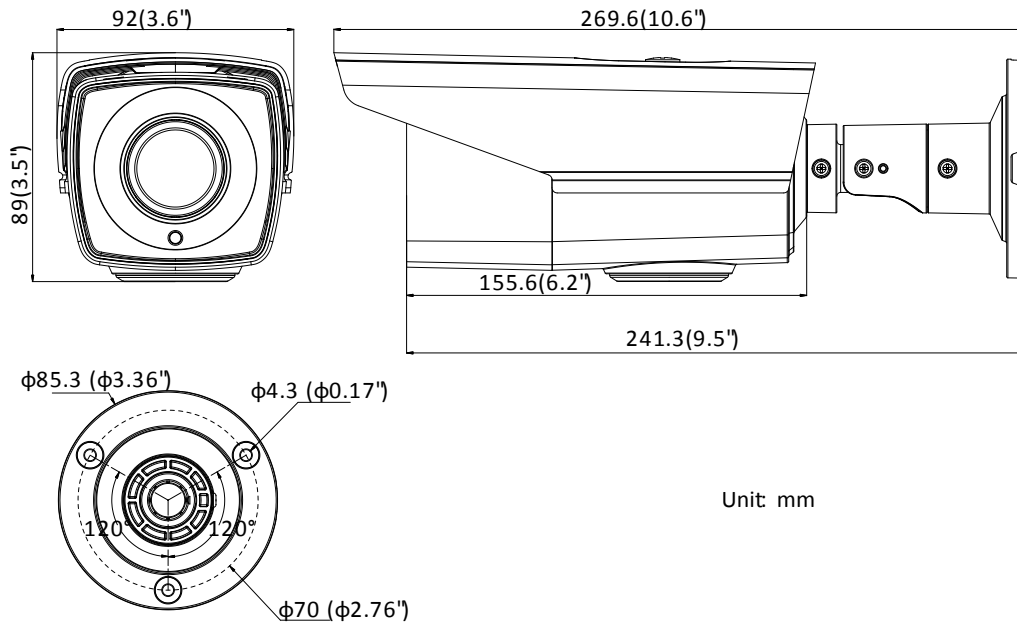
AMERICAN VIDEO EQUIPMENT

KEY FEATURES

- 2.0 megapixel high performance CMOS
- 1920 × 1080 resolution
- 2.8 mm to 12 mm vari-focal lens
- True Day/Night
- Up to 40 m IR distance
- PoC.at
- IP66



DIMENSIONS



ACCESSORIES



Vertical Pole Mounting



Junction Box



Video Balun



AVE (Europe) 13B Blanchardstown Corporate Park 1, Blanchardstown, Dublin 15, Rep. of Ireland
 Tel: +353 (1) 864 7450 Fax: +353 (1) 864 7451 Email: eusales@ave-global.com Web: www.ave-global.com

AVE (UK) Endeavour House, Coopers End Road, Stansted, Essex, CM24 1SJ
 Tel: +44 (0)845 600 9323 Fax: +44 (0)845 600 9363 Email: eusales@ave-global.com Web: www.ave-global.com

AVE (USA) 2300 Central Parkway, Suite C, Houston, Texas TX 77092
 Tel: +1 (281) 443 2300 Fax: +1 (281)-443-8915 Email: usasales@ave-global.com Web: www.ave-global.com

AVE (Asia) 147 Soi OnNut44, (Sampheengong Villa), Sukhumvit 77Rd., Suanluang, Suanluang, Bangkok 10250 Thailand.
 Tel: +662-331-9285 Fax: +662 331 9365 Email: ave@avethailand.com Web: www.avethailand.com

AVE-TVIVFB10P

2 MP Vari-focal PoC Bullet Camera



AMERICAN VIDEO EQUIPMENT

SPECIFICATIONS

CAMERA	
Image Sensor	2.0 megapixel progressive scan CMOS
Signal System	PAL/NTSC
Frame Rate	PAL: 1080p@25fps NTSC: 1080p@30fps
Resolution	1920 (H) × 1080 (V)
Min. illumination	0.01 Lux@(F1.2, AGC ON), 0 Lux with IR
Shutter Time	PAL: 1/25 s to 1/50, 000 s NTSC: 1/30 s to 1/50, 000 s
Lens	2.8 mm to 12 mm
Horizontal Field of View	105.2° to 32.8 °
Lens Mount	Φ14
Day & Night	IR cut filter
Angle Adjustment	Pan: 0° to 360°, Tilt: 0° to 90°, Rotation: 0° to 360°
Synchronization	Internal synchronization
MENU	
AGC	Low/middle/high
Day/Night Mode	Smart/color/BW(Black and White)
Backlight Compensation	Yes
DWDR	Yes
Language	English
Functions	Brightness, Sharpness, DNR, Mirror
INTERFACE	
Video Output	1 HD analog output
GENERAL	
Operating Conditions	-40 °C to 60 °C (-40 °F to 140 °F), Humidity 90% or less (non-condensation)
Power Supply	12 VDC ±15%/PoC.at
Power Consumption	Max.6.5 W
Ingress Protection	IP66
Material	Main Body: Plastic Mounting Base: Metal
IR Range	Up to 40 m
Dimensions	92 mm × 89 mm × 269.6 mm (3.62" × 3.5" × 10.6")
Weight	Approx. 900 g (1.98 lb.)



AMERICAN VIDEO EQUIPMENT

AVE (Europe) 13B Blanchardstown Corporate Park 1, Blanchardstown, Dublin 15, Rep. of Ireland
Tel: +353 (1) 864 7450 Fax: +353 (1) 864 7451 Email: eusales@ave-global.com Web: www.ave-global.com

AVE (UK) Endeavour House, Coopers End Road, Stansted, Essex, CM24 1SJ
Tel: +44 (0)845 600 9323 Fax: +44 (0)845 600 9363 Email: eusales@ave-global.com Web: www.ave-global.com

AVE (USA) 2300 Central Parkway, Suite C, Houston, Texas TX 77092
Tel: +1 (281) 443 2300 Fax: +1 (281)-443-8915 Email: usasales@ave-global.com Web: www.ave-global.com

AVE (Asia) 147 Soi OnNut44, (Sampheonong Villa), Sukhumvit 77Rd., Suanluang, Suanluang, Bangkok 10250 Thailand.
Tel: +662-331-9285 Fax: +662 331 9365 Email: ave@avethailand.com Web: www.avethailand.com